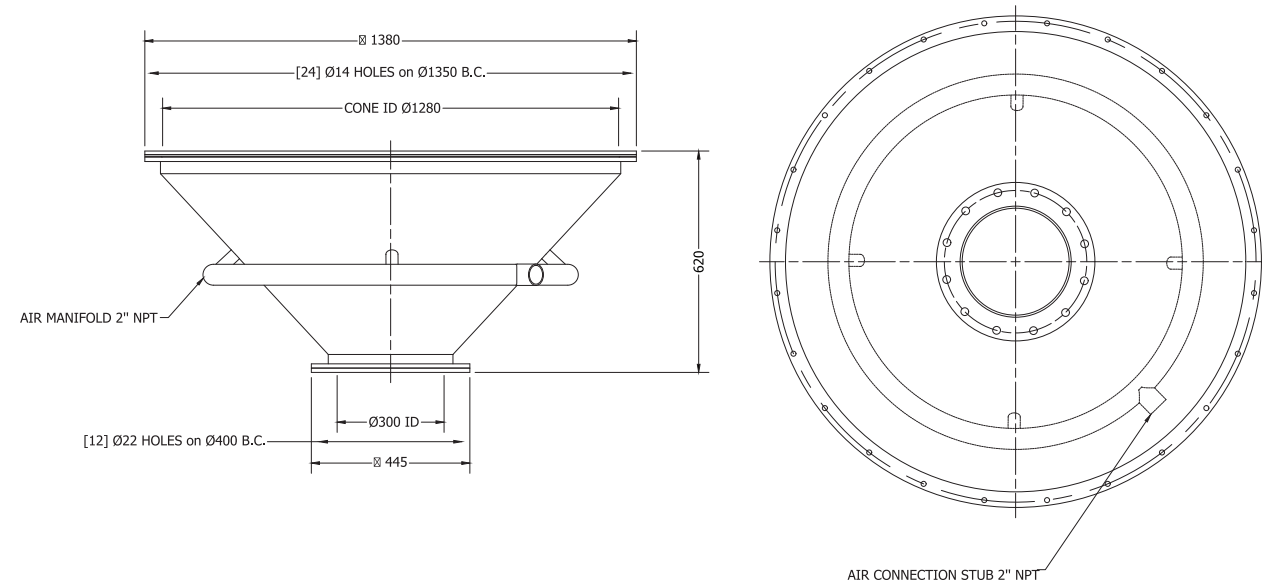
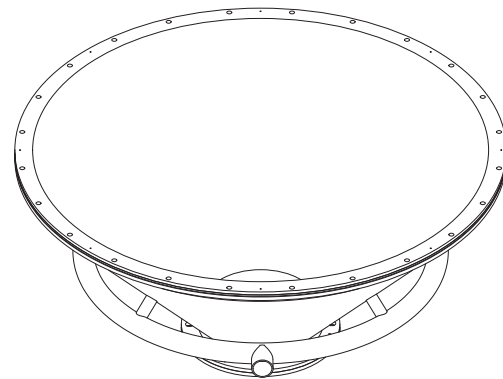


## Technical and Dimensional Data

# FCX FLUIDIZING CONE



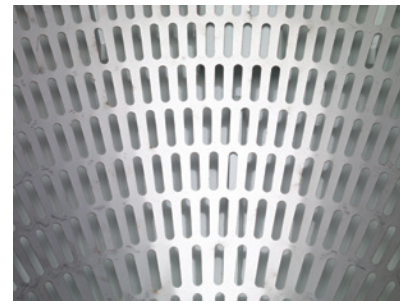
NOTES	
1	MAX. PRESSURE : 7.3 psi (0.5 bars)
2	MAX. AIR VOLUME : 71 SCFM (120 Nm <sup>3</sup> /hr)
3	TOTAL WEIGHT : 276 LBS. (125 kg)



# The Fluidizing System



FCX Stainless Steel Weld Detail



Mesh Inner Cone



Porous Inner Cone

The CETEC FCX Fluidizing Cone's unparalleled speed and robust efficiency makes it the top industrial solution. Manufactured here in the United States, our team of engineers and designers have put together an innovative fluidizing cone to meet industry bulk loadout demands and regulations.

The FCX's air supply is generated through an industrial grade rotary blower. Controlled by a solenoid valve at a max psi of 7.5, air is then directed to an outer ring and its nozzles. As air enters the cone, a robust mesh liner and specialized 5-micron porous liner aid in evenly dispersing it into the product. In order to achieve a fluid state, a period of retention is required. Depending on product type, the process typically takes no more than 1.5 minutes.

## System Sizing

The FCX comes in an industry standard one-size serves all.

Upper Flange: ID 1280mm – 50.375" | Lower Flange: ID 300MM – 11.81"

\* Oversized flange diameters require an additional adapter

# Operation

The FCX Fluidizing Cone is designed to increase the efficiency and rate at which your bulk materials can be discharged, especially when comparing to traditional vibratory bulk loadout systems. Controlling the FCX is quite simple.

To begin the bulk loadout process, an operator will select a series of options from the plant PLC. Once established, the operator will begin the cycle. After a period of retention, the operator will then open an air-tight slide gate to discharge the product to its desired location. At any point and time, the flowrate can be adjusted or stopped through the slide gate. After the cycle is complete, the operator can shut down the system.

## Specification:

- Body: Stainless Steel | Carbon Steel
- 14ga. air manifold
- 5-micron porous liner
- Rotary blower
- Positional slide gate
- Lower and upper evassers



Telescoping Loadout Spout & Exhaust Duct



Bin Discharge Cones



Bulk Tanker Exhaust Filter